



# LED VANITY LINEAR

## LVF28 series

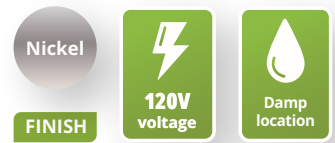
**DESIGN:** The LED VANITY LINEAR features a sleek, modern rectangular design that delivers a clean and stylish look with efficient lighting. Its linear shape provides balanced illumination, making it ideal for vanity applications. The durable housing is resistant to rust and impact, ensuring years of reliable performance. An acrylic lens with a 150° beam angle provides smooth, even light distribution. Designed for use on standard 120V circuits.

**COLOR SELECTABLE:** You can choose either a 3,000K warm white, 4,000K cool white or 5,000K daylight color temperature.

**DIMMING :** Smooth triac dimming capabilities ranging from 10% to 100% with modern LED dimmers allow you to control the look and feel of your space.

**APPLICATION:** This fixture creates a bright light that is perfect for bathroom spaces or any other common areas. It is also Damp location rated. Can be installed vertically and horizontally.

**ADVANTAGES:** With a lifespan of 50,000 hours, these fixtures are made to last decades under normal operation! ASD provides a 5-year limited warranty along with ETL certifications to guarantee top quality products and safety!



## PRODUCT PRESENTATION

MODEL	SIZE	POWER	VOLTAGE	DIMMING	LUMENS	CCT	FINISH	DIMENSIONS	CERTIFICATION
ASD-LVF28-18D20CC-NK	18 inch	20W	120V	Triac	1,346lm	3000/4000/5000 K	Nickel	17-13/16" x 4-1/2" x 2-3/8"	ETL(5029883)
ASD-LVF28-24D25CC-NK	24 inch	25W	120V	Triac	1,880lm	3000/4000/5000 K	Nickel	23-11/16" x 4-1/2" x 2-3/8"	ETL(5029883)

## TECHNICAL PARAMETERS

MODEL	WORK ENVIRONMENT	OPERATING TEMPERATURE	POWER FACTOR	BEAM ANGLE	SURGE PROTECTION	HOUSING	LENS	CRI
ASD-LVF28-18D20CC-NK	Damp location	-4°F to 104°F(-20°C to 40°C)	>0.9	110°	1kV	Aluminum, Iron	PC	>80
ASD-LVF28-24D25CC-NK	Damp location	-4°F to 104°F(-20°C to 40°C)	>0.9	110°	1kV	Aluminum, Iron	PC	>80

## DIMMING COMPATIBLE CONTROLS

BRAND	LUTRON			LEVITON		
	Models	MACL-153MLH-WH STCL-153PH-WH	PD-6WCL-WH-R DVCL-153PR	P-PKG1W	R02-DW6HD-2RW R00-RNL06-0TW	R68-06674-P0T DSL06

## ORDERING INFORMATION

MODEL	PRODUCT DIMENSIONS	WEIGHT	PCS. PER CARTON	CARTON SIZE	CARTON WEIGHT	UPC	GTIN 14
ASD-LVF28-18D20CC-NK	17-13/16" x 4-1/2" x 2-3/8"	1.5 lbs(0.7kg)	4	19.29" x 6.50" x 10.83"	3.8 lbs	81019020405	10810190204051
ASD-LVF28-24D25CC-NK	23-11/16" x 4-1/2" x 2-3/8"	1.6 lbs(0.7kg)	4	25.20" x 6.50" x 10.83"	4.1 lbs	81019020406	10810190204068

For most up-to-date spec sheets please refer to [asd-lighting.com](http://asd-lighting.com)

ASD LIGHTING CORP | [www.asd-lighting.com](http://www.asd-lighting.com) | [orders@asd-lighting.com](mailto:orders@asd-lighting.com)



# INSTALLATION GUIDE

Please read all the instructions below before installation!

## IMPORTANT SAFETY INFORMATION

- Make sure that the supply voltage corresponds to the rated product voltage.
- The product must be installed by a qualified electrician in accordance with the National Electrical Code and corresponding local codes.
- If the product is damaged, do not use it.

### ⚠ WARNING

**Risk of personal injury:** read and follow all warnings and installation instructions. Keep or give to the owner for future reference.

**Risk of cuts:** Wear gloves to prevent cuts or abrasions when removing from carton, handling, installing, and maintaining this product.

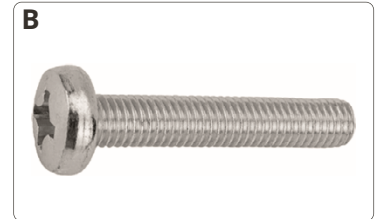
**Risk of electric shock:** This product must be installed in accordance with the applicable installation code by a person familiar with the construction and operation of the product and the hazards involved.

**Risk of Fire:** Minimum 194°F supply conductors. Consult a qualified electrician to ensure correct branch circuit conductor.

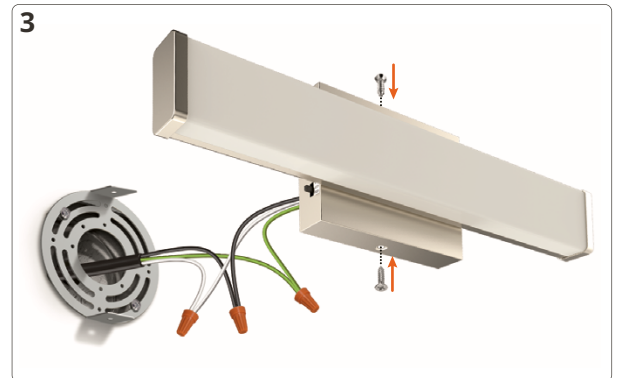
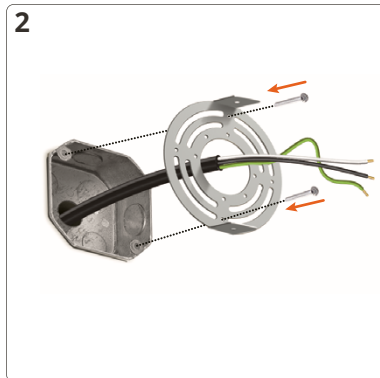
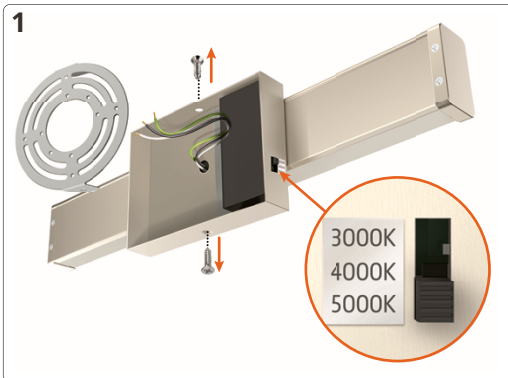
**ASD® assumes no responsibility for claims arising out of improper or careless installation or handling of this product.**

## PACKAGE CONTENTS

DESCRIPTION	QUANTITY
LED Vanity Linear	1
Mounting bracket (A)	1
Wire nut (B)	3
1/4" screw (C)	2
Box	1



## INSTALLATION STEPS



**1.** Pull the power supply wires out of the outlet box. Attach the mounting bracket to the outlet box (not included) using the mounting screws.

**2.** Connect the wires: black to black, white to white, green to green. Secure the connection with wire nuts. Choose needed color temperature by adjusting switch position.

**3.** Place the fixture backplate of the fixture body over the mounting bracket. Insert the fixture screws and tighten to secure the fixture body on the surface.