



LED SPORT LIGHT

SPFL8 series

► **DESIGN** - LED SPORT LIGHT has distinct, angular design that enables precise, focused light projection, making them ideal for controlled lighting scenarios - ideal for focused, high-intensity illumination. Its die-cast aluminum housing with numerous vents on the heat sink has excellent heat dissipation for extremely high power up to 1800W. CRI80+ rating provides rich and natural colors. It is designed to operate on 200-480V circuits.

► **CUSTOM CONTROLS** - Fixtures are controllable with wired DMX, DALI-2 or 0-10V dimmable driver to suit your needs for Individual light control for dynamic & static scenes. DMX and DALI-2 protocols allow information to be transferred between multiple devices, such as lighting commands, fault details and diagnostics.

► **SURGE PROTECTION** - 10kV protects the fixture from voltage spikes and current surges.

► **INSTALLATION** - This fixture has IK10 impact protection, 3G vibration rating and rated for Wet locations. Fixture can be installed at a height of up to 165 ft. Perfect for commercial or industrial solution for any outdoor sports lighting, dock lighting, high mast flood lighting, stadium lighting, and many other applications.

► **ADVANTAGES** - With calculated greater than 90% lumen maintenance at 102,000 hrs. lifespan, these fixtures are made to last decades under normal operation! ASD provides a 7-year limited warranty along with UL and DLC Premium certifications to guarantee top quality products and safety!



PRODUCT PRESENTATION:

Model	Power	Voltage	Dimmable	Lumens	CCT	Finish	Dimensions	Certification
ASD-SPFL8-1600D50-DMX-DALI	1600 W	200-480V	DMX/0-10V/DALI	208,000lm	5,000K	Black	20-3/8" x 17-11/16" x 4-1/2"	UL (E4730804), DLC
ASD-SPFL8-1800D50-DMX-DALI	1800 W	200-480V	DMX/0-10V/DALI	234,000lm	5,000K	Black	17-11/16" x 20-3/8" x 5-3/16"	UL (E4730804), DLC

ORDERING INFORMATION

Model	Product dimensions	Weight	Pcs. per carton	Carton size	Carton weight	UPC
ASD-SPFL8-1600D50-DMX-DALI	20-3/8" x 17-11/16" x 4-1/2"	53 lbs (24 kg)	1	29.5" x 26.8" x 8.5"	62 lbs	810128119337
ASD-SPFL8-1800D50-DMX-DALI	17-11/16" x 20-3/8" x 5-3/16"	57 lbs (25.9 kg)	1	29.5" x 26.8" x 9.1"	66 lbs	810128119344

For most up-to-date spec sheets please refer to asd-lighting.com

ASD LIGHTING CORP

E-mail: orders@asd-lighting.com | Web site: www.asd-lighting.com





LED SPORT LIGHT

SPFL8 series

TECHNICAL PARAMETERS:

Model	Max input current	Inrush current	Work environment	Operating temperature	Power factor	Beam angle	Surge protection	Housing	Lens	CRI
ASD-SPFL8-1600D50-DMX-DALI	8.8 A	27 A	Wet location	-40°F to 122°F (-40°C to 50°C)	> 0.9	17°	10 kV	Aluminum	PC	> 80
ASD-SPFL8-1800D50-DMX-DALI	10 A	27 A	Wet location	-40°F to 122°F (-40°C to 50°C)	> 0.9	17°	10 kV	Aluminum	PC	> 80

CONTROL OPTIONS:

Control Mode	Protocol/Standard	Details / Compatibility
0-10V Dimming	Analog	Leviton: ZS057-D0Z, DS710, DD710, IP710 Lutron: DVSTV, DDTV, MS-Z101, NTSTV
DALI Mode	DALI 2.0 (Parts 101/102/207)	Fully compliant with modern DALI 2.0 systems
	D4i (Parts 251/253)	Supports intelligent features via D4i
DMX Mode	DMX-RDM	Fully compatible with industry-standard DMX512 and RDM protocols, ensuring smooth integration with widely used DMX-based control setups.

EPA (EFFECTIVE PROJECTED AREA)

Fixture quantity	Model
Single	1600-1800W
	3.01 ft ²

BUG RATING:

Model	BUG rating
ASD-SPFL8-1600D50-DMX-DALI	B5 U0 G3
ASD-SPFL8-1800D50-DMX-DALI	

PACKAGE CONTENTS:

Description	Quantity
LED Sport Light	1
Box	1

INSTALLATION GUIDE

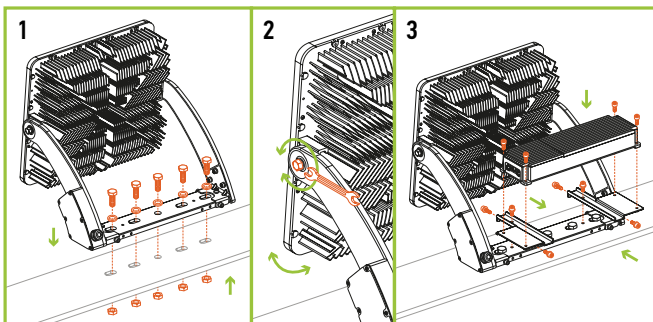
IMPORTANT SAFETY INFORMATION:

Please read all the instructions below before installation!

- ▶ Make sure that the supply voltage corresponds to the rated product voltage.
- ▶ The product must be installed by a qualified electrician in accordance with the National Electrical Code and corresponding local codes.
- ▶ If the product is damaged, do not use it.

SURFACE MOUNT INSTALLATION:

1. Insert M20 bolts and washers into the bracket. Secure the bracket with bolts, plain washers, and lock washers. Tighten the nuts to ensure the mounting structure is secure.
2. Adjust the fixture to the desired angle by loosening or tightening the bolt located on the side of the fixture.
3. **OPTIONAL:** If mounting the driver to the bracket, use the brackets attached to the driver and secure it directly onto the bracket using four M6 bolts and six M8 bolts.



* There are no interchangeable lenses available.

⚠ WARNING

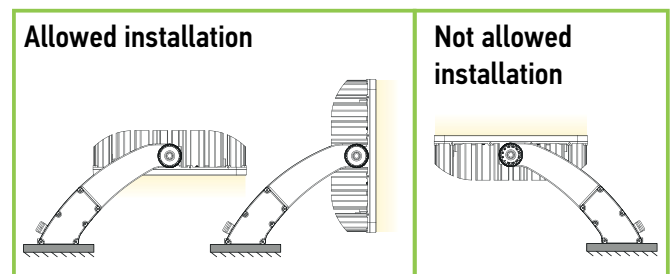
Risk of personal injury – read and follow all warnings and installation instructions. Keep or give to the owner for future reference.

Risk of cuts: Wear gloves to prevent cuts or abrasions when removing from carton, handling, installing, and maintaining this product.

Risk of electric shock: This product must be installed in accordance with the applicable installation code by a person familiar with the construction and operation of the product and the hazards involved.

Risk of Fire: Minimum 194°F supply conductors. Consult a qualified electrician to ensure correct branch circuit conductor.

ASD® assumes no responsibility for claims arising out of improper or careless installation or handling of this product.



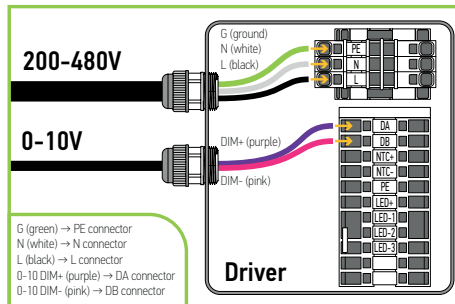
For most up-to-date spec sheets please refer to asd-lighting.com



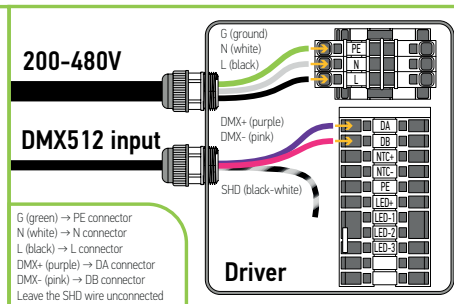
LED SPORT LIGHT

SPFL8 series

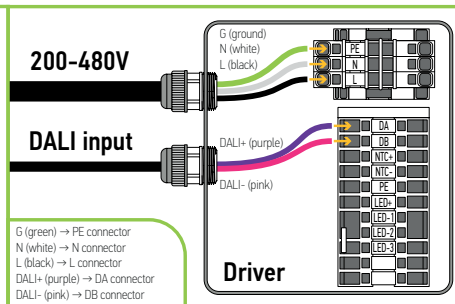
0-10V CONNECT:



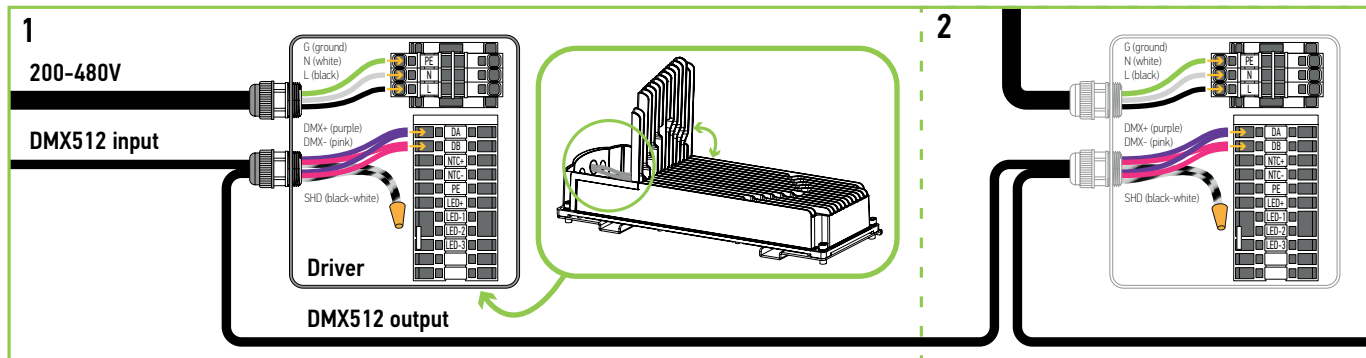
DMX512 CONNECT:



DALI2.0 CONNECT:



DMX512 DAISY CHAIN CONNECT:



To link two or more fixtures together, use a parallel connection. For example, if you are connecting six SPFL8 fixtures using DMX512, follow these steps:

1. Use a 3-pin DMX cable to connect the controller to the first SPFL8. Wire the connections as follows:
DMX+ -> DA connector
DMX- -> DB connector
2. Connect additional fixtures in parallel:
Take another 3-pin DMX cable and connect its DMX+ and DMX- wires to the DA and DB terminals on the **previous** fixture in the chain. Connect the SHD wires together using a terminal block or another suitable connector. Repeat this step for each additional fixture.

⚠ WARNING

When using a larger external diameter cable, the plug and the smaller inner diameter seal need to be removed.

When using a smaller external diameter cable, simply remove the plug.

For most up-to-date spec sheets please refer to asd-lighting.com

